

HEALTH AND CARE

product code: **57-103/1; 57-103/1N;** - design: **Laura Silvestrini**



Description

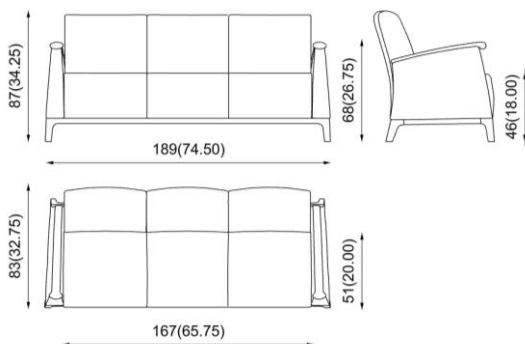
Three-seater sofa. Backrest with shaped padding. Armrests with wooden profile and ergonomic hand grip. Removable seat for easy cleaning.

Divano a 2 posti. Schienale a imbottitura sagomata. Braccioli con profilo in legno. Sedile rimovibile per facile igienizzazione.

3-Sitzer-Sofa. Rückenlehne mit Unterstützung im Lendenbereich. Armlehnen mit Holzprofil. Abnehmbare Sitzfläche für einfache Reinigung.

Canapé 3 places. Dossier avec rembourrage façonné. Accoudoirs avec profil en bois et poignée ergonomique. Assise amovible pour une hygiénisation facile.

Dimensions (cm / in)



Fabric need for 1 pc. > **690**; for 2 + pc. > **690** (cm / h 140)
Fabric need for 1 pc. > **271,75**; for 2 + pc. > **271,75** (in / h 55,25)



Weight for 1 pc. > **71,6** (kg) / **157,85** (lbs)



Volume for 1 pc. > **1,572** > 1 x box (m³)



Certifications

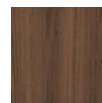
On request



Structures



Beech / Faggio
 Buche / Hêtre



Walnut / Noce
 Nussbaum / Noyer

Upholstery/Wood colour see fabric/leather and wood chart

Accessories



gliders



waterproof



removable



utility



anti decubitus